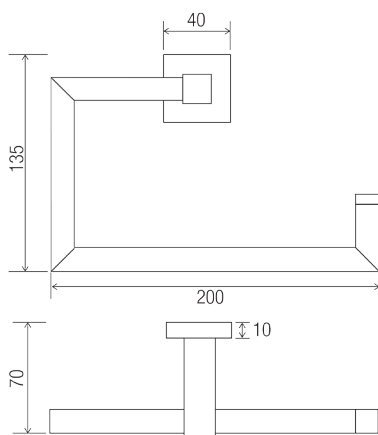


**DIMENSIONS**



**TOWEL RING**

**Product Code - Finish**

- BA 503 C - Chrome

**Features**

- Brass construction
- Chrome plated finish
- Stainless steel fixings supplied

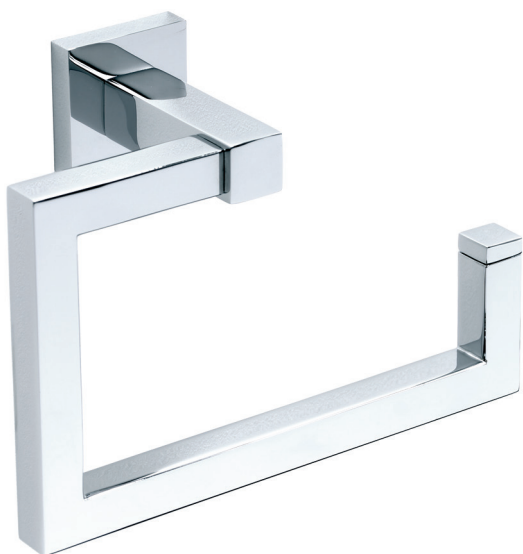
**Compliance**

- No licence required for sale

**Warranty**

See Con-Serv warranty policy for full details.

**INDICATIVE IMAGE**



**CON-SERV CORPORATION AUSTRALIA PTY. LTD.**

17 Glentanna Street, Kedron · Qld. 4031 Australia

Phone: +61 (0)7 3630 5744 · Fax: +61 (0)7 3630 5755 · Email: mail@con-serv.com.au · www.con-serv.com.au